

Description: LED mirror lighting - LED wall fitting, Unique night-light feature, Contains the LED-driver power < 0.5W. This is a Bathroom LED mirror Light / wall fitting, An attractive and simple acrylic and polished chrome, bathroom light for installation over or to the side of a bathroom mirror. It is a dimming control, and waterproof IP67.



Features:

1. Provides soft diffused light ,High Efficiently diffuser PC tube
2. Polished chrome finish
3. Includes dimmer controls
4. LED lamp input 12V, Safe and reliable
5. High-efficiency LED driver, no-load power consumption less than 0.3W, in line with the Energy Star standards
6. Color : white or warm white

Scope of application:

1. LED mirror lighting - LED wall fitting
2. Showcase lights, display lights, cabinet lights
3. Family, shopping malls, hotels, bars Decorative Lighting
4. Do it yourself



Mechanical Specifications:

- LED lamp length :15cm, 30cm, 60cm, 90cm or 120cm
- Diameter: Ø25mm
- LED driver: 68cm x 42cm x30cm
- LED dimmer: 60cm x 40cm x22cm
- Operating Temperature: -20°C ~50°C
- IP Grade: IP67 (LED lamp and LED dimmer [RX-DM-C01-1PDF](#))
- IP Grade: IP44(Wall Inserting LED driver [EFV-018-N12 PDF](#))
- IP Grade: IP67(Waterproof LED driver [EFV-018-W12 PDF](#))

Electronical Specifications:

- LED lamp and LED dimmer input: DC12V
- LED driver input: AC100-240V efficiency up to84%, out DC12V

Note: LED Driver Remote Control is an optional accessory, Standard does not include remote control accessories.

LED Dimming Controller Features



Remote A : ON/OFF Start or turn off the controller



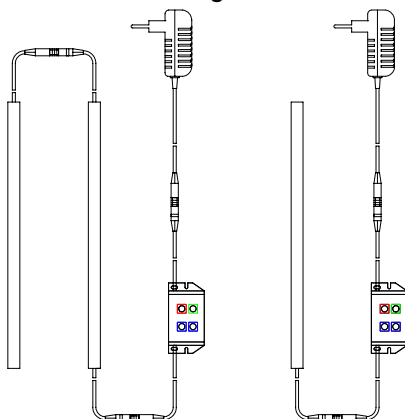
Remote B : Press it to enter into next model
 1. Unique night-light feature, Power < 0.3W
 2. 35% brightness , 3. 70% brightness ,4. 100% brightness



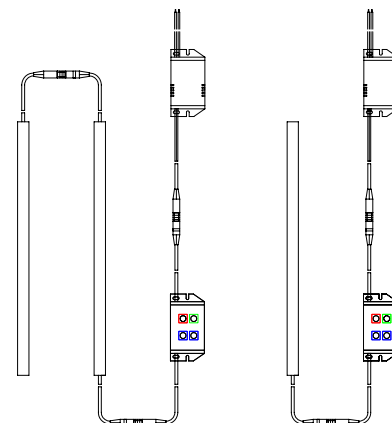
Remote C : Up brightness



Remote D : Down brightness

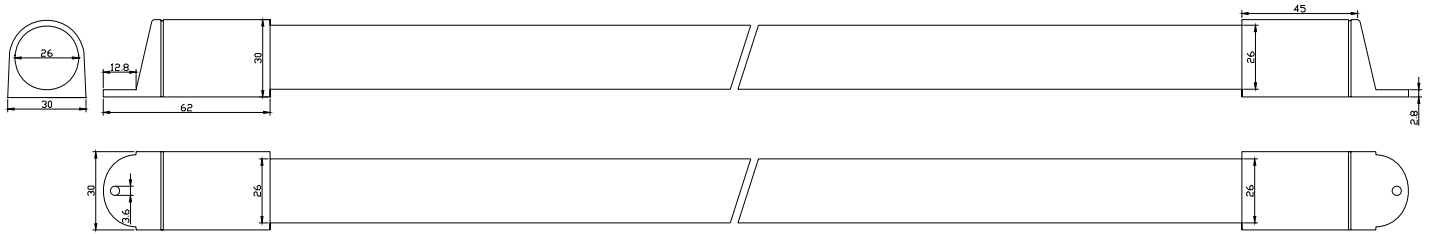


Wall Inserting LED driver [EFV-018-N12 PDF](#)

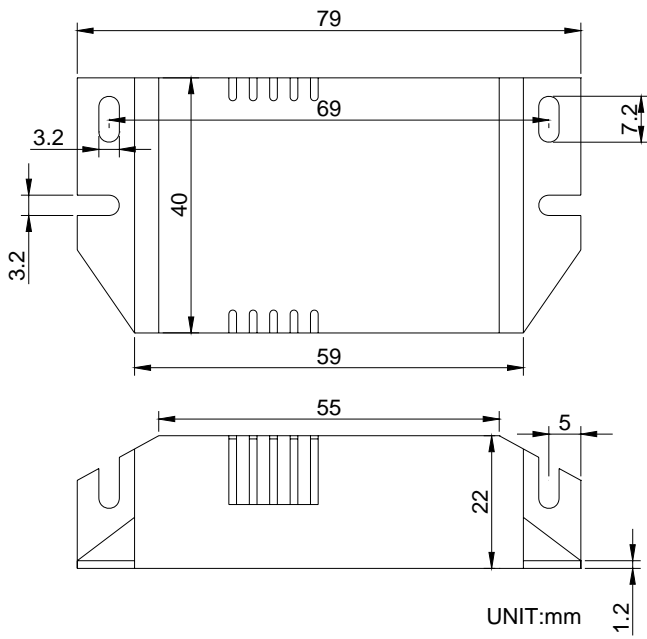


Waterproof LED driver [EFV-018-W12 PDF](#)

Dimension



UNIT: mm



UNIT:mm

