

# ZHONG SHAN RUI XIAN ELECTRONICS

Add: No. 73, Jinyi Road, Dongfeng Town, Zhongshan City Tel: +86-760-86172690 23935789  
 Fax: +86-760-22635327 Http: [www.neon-elwire.com](http://www.neon-elwire.com) E-mail: [open686@vip.sina.com](mailto:open686@vip.sina.com)

## Product Data Sheet

P/N: LED Panel LIGHT(LED Aluminum Panel LAMP) Model: RX-ALF33-5050

Description: RX-ALF33-5050 LED Panel light can save 70% electricity energy, and it has long life span. water-proof. Ultra-thin, the thickness of less than 3.5mm, can be installed wall.

### Features:

1. High quality and High intensity SMD5050 LED
2. Energy saving
3. Waterproof: IP67/8
4. Not break up
5. No RF interference
6. Long lifespan:  $\geq 30000$ hrs.
7. Aluminum-LED Panel

### Applications:

1. Advertising signboard backlight lamp
2. Outdoor decorations Lighting
3. Ceiling Lighting
4. Party and event centerpiece.
5. decorative lighting and more
6. Do it yourself
7. Outdoor Aluminum Panel LED Display

### Electronical Specifications:

Input Voltage: 12VDC (Others can be customized)

Max Power: 0.21/LED

SMD5050 LED 20MAX3

Emitted Color	CIE1931	light output	angle
RGB		1600 $\approx$ 5LM	120
White	X0.29Y0.30	5000 $\approx$ 15LM	120
Warm White	X0.4Y0.36	4000 $\approx$ 12LM	120

### Mechanical Specifications:

Dimensions : High : 3.5mm,

Length (width): 30cm (or 60cm)

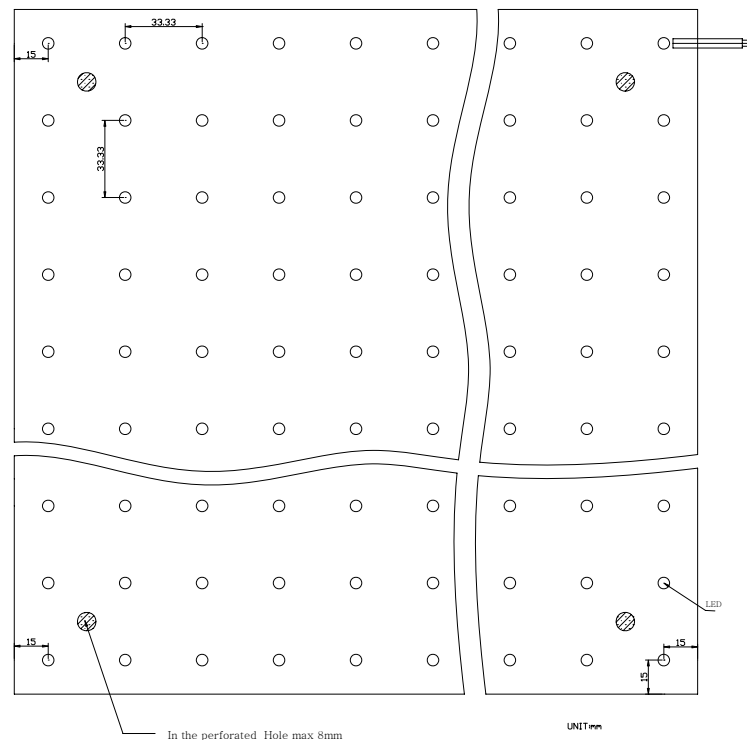
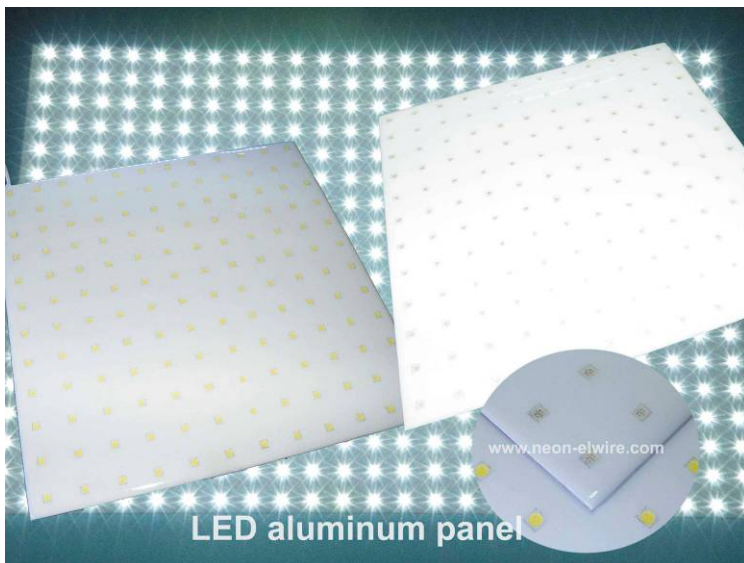
Weight: 500g/30x30cm

LEDs Spacing: 33mm

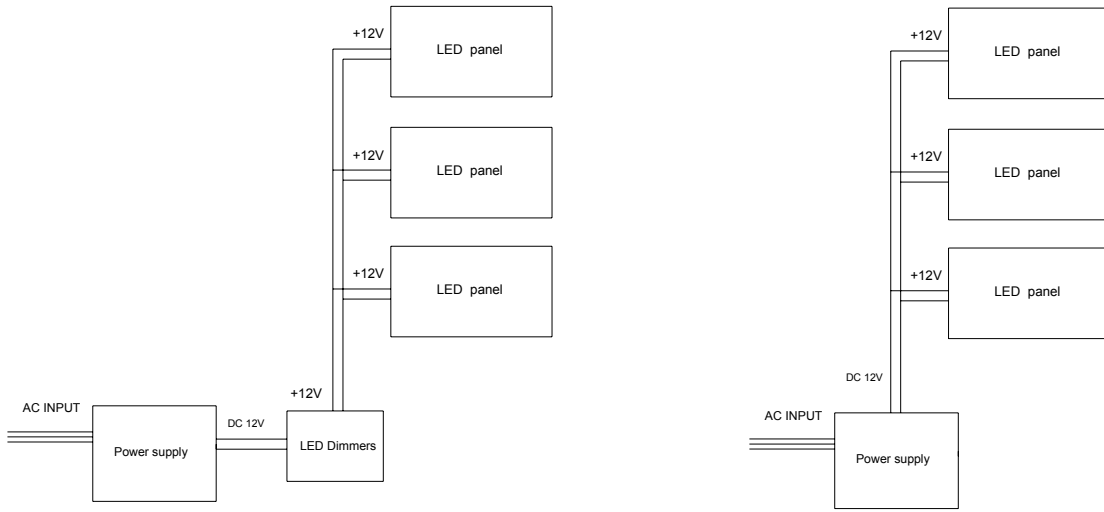
Operating Temperature:  $-30^{\circ}\text{C} \sim 60^{\circ}\text{C}$

Storage Temperature:  $-30^{\circ}\text{C} \sim 60^{\circ}\text{C}$

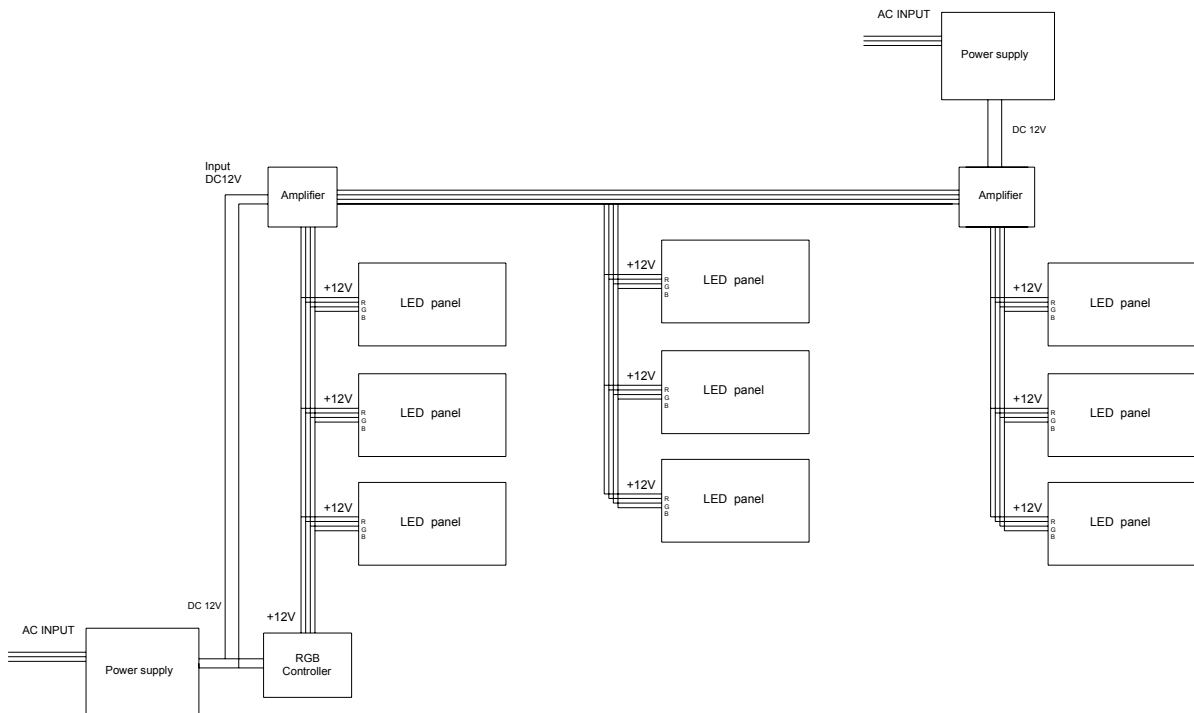
※DC12V, the red side-line is the anode.



A: LED aluminum bar lights for single color



B: LED aluminum bar lights for RGB/chameleon color



## **Safety Information**

- 1.The strip itself and all its components may not be mechanically stressed.
- 2.Assembly must not damage or destroy conducting paths on the circuit board.
- 3.Installation of LED flexible strip (with power supplies) needs to be made with regard to all applicable electrical and safety standards. Only qualified personnel should be allowed to perform installations.
- 4.Correct electrical polarity needs to be observed. Wrong polarity may destroy the strip.
- 5.Parallel connection is highly recommended as safe electrical operation mode.
- 6.Serial connection is not recommended. Unbalanced voltage drop can cause hazardous overload and damage the strip.
- 7.Please ensure that the power supply is of adapters power to operate the total load.
- 8.When mounting on metallic or otherwise conductive surfaces, there needs to be an electrical isolation points between strip and the mounting surface.
- 9.Pay attention to standard ESD precautions when installing the strip.
- 10.Damaged by corrosion will not be honored as a materials defect claim. It is the user's responsibility to provide suitable protection against corrosive agents such as moisture and condensation and other harmful elements.
11. Waterproof LED flexible strip , please note waterproof wiring Department

Please be sure you choose right AC/DC power adaptor to drive LED aluminum bar. If you have difficulty to buy such adaptor locally, please turn to us.